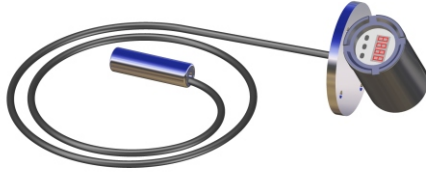


LT-JFH DROP-IN STYLE SMART LEVEL CONTROLLER

FEATURES

- Entirely smart menu operation
- Local zero and span adjustment, arbitrary rangability
- Capable of setting multi-pair of alarm contacts
- Self-calibration and auto diagnosis & alarm display
- Optional HART digital communication



PRINCIPLE

Based on LT-J Drop-in Level Transmitter, LT-JFH Drop-in Style Smart Level Controller increases the smart level control meter which integrates microelectronic control technology to realize integration of display, transmission and control. It features friendly interface, free parameter adjustment, self-calibration and auto-diagnosis & alarm output. The max. controllable relay contacts can be up to 7 pairs. Users can choose backlight LCD or LED display as per actual condition

SPECIFICATION

Measuring Upper Limit.: 5KPa (Min) - 7KPa (Max)
Accuracy: 0.1, 0.2, 0.5
Max. overpressure: five times FS
Terminal housing: Aluminum Alloy
Sensor shell: SUS316L
Output: 4-20mA
Load impedance : Less than 500 Ohms
Operating type:4-wire
Display: LCD or LED
Contacts:1 - 7
Operation voltage: 24V DC /110VDC/110 VAC /220VDC/220VAC
Ambient temp.: -10 - 85°C
Enclosure class: IP65

DISPLAY



LED display



Backlit LCD display

CIRCUIT DIAGRAM

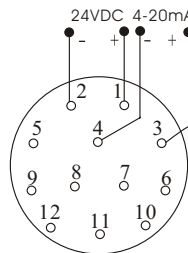


Fig. 1 12-pin aeronautic socket

CONNECTIONS

- 1-2: power supply (1+, 2-)
- 3-4: 4-20mA output
- Others: output contacts

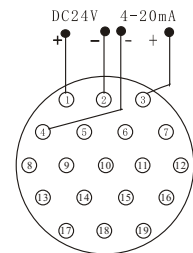


Fig. 2 19-pin aeronautic socket

CONNECTIONS

- 1-2: power supply (1+, 2-)
- 3-4: 4-20mA output
- Others: output contacts

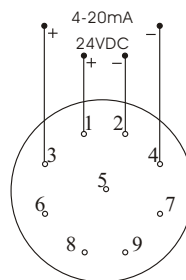


Fig. 3 9-pin aeronautic socket

CONNECTIONS

- 1-2: power supply (1+, 2-)
- 3-4: 4-20mA output
- Other: output contacts

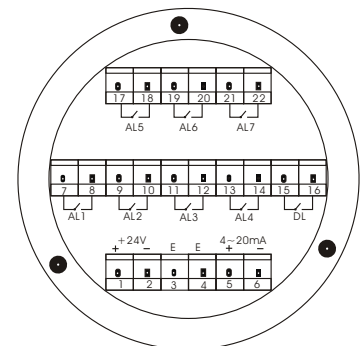
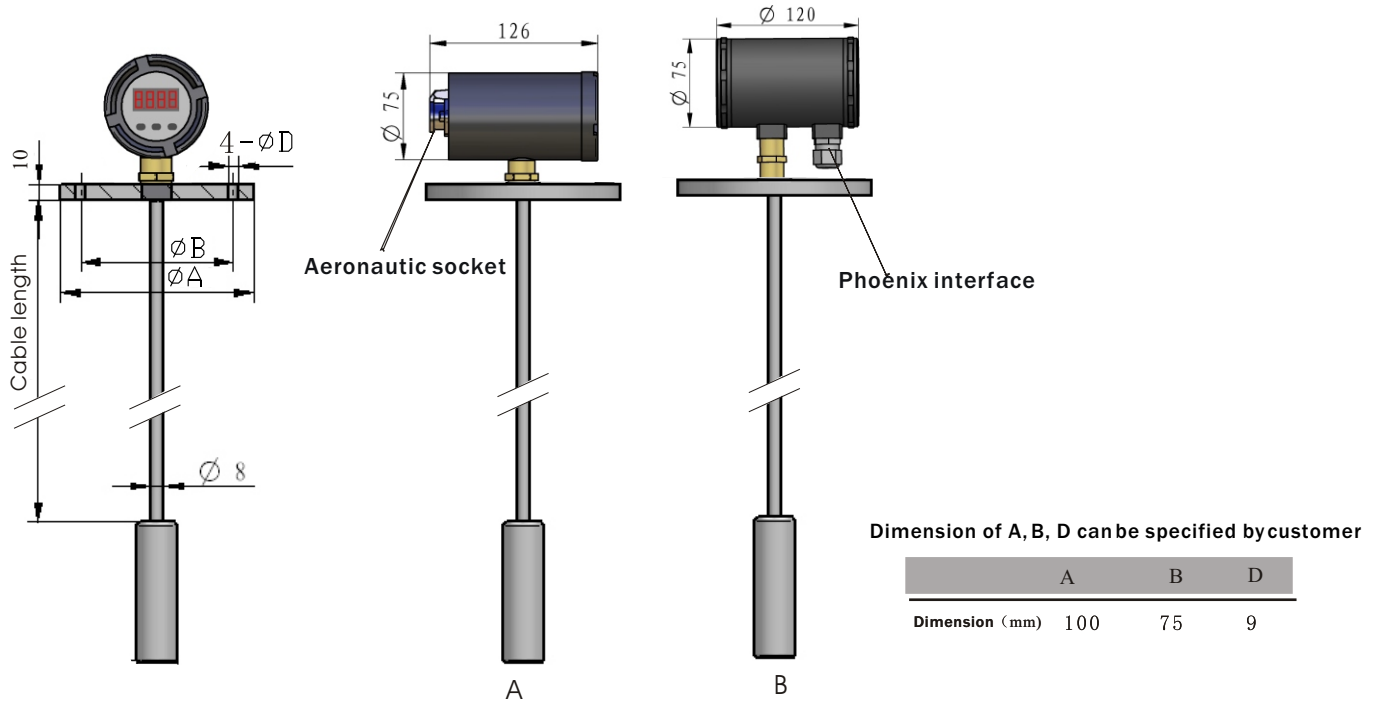


Fig. 4. Phoenixinterface

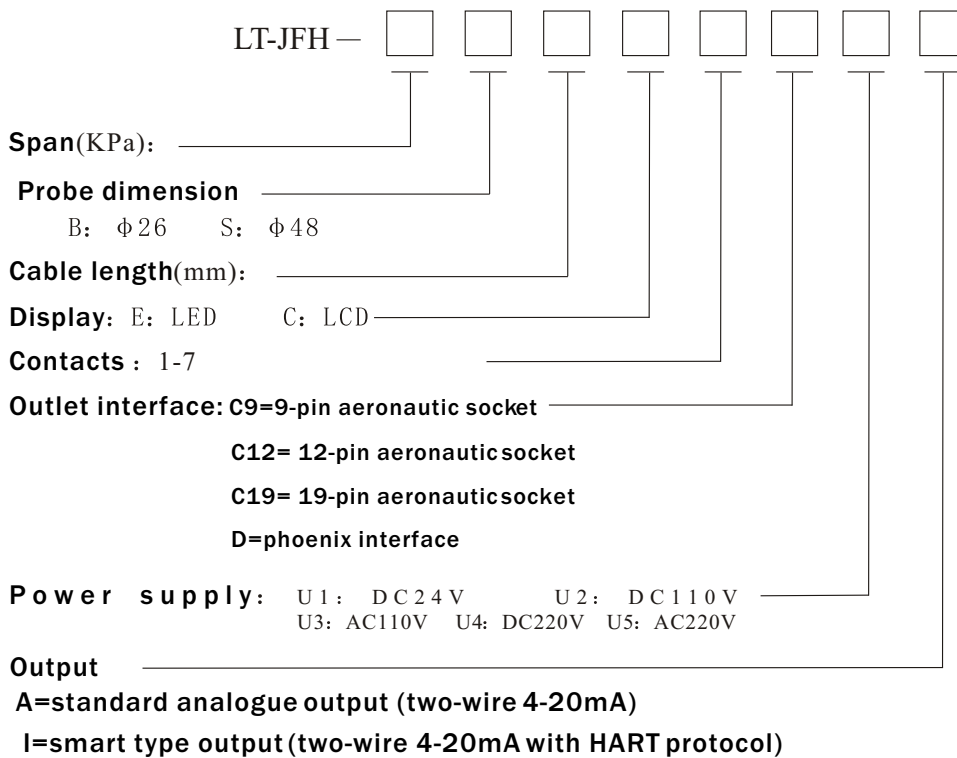
CONNECTIONS

- 1-2: power supply (1+,2-)
- 3-4: ground/shield
- 5-6: 4-20mA output
- Others: output contacts

STRUCTURE DRAWING



SELECTION CHART



Note: Flange dimension, other parameters can be specified by user